

Instruction Manual

Model F300-2

PICTURE FRAMING

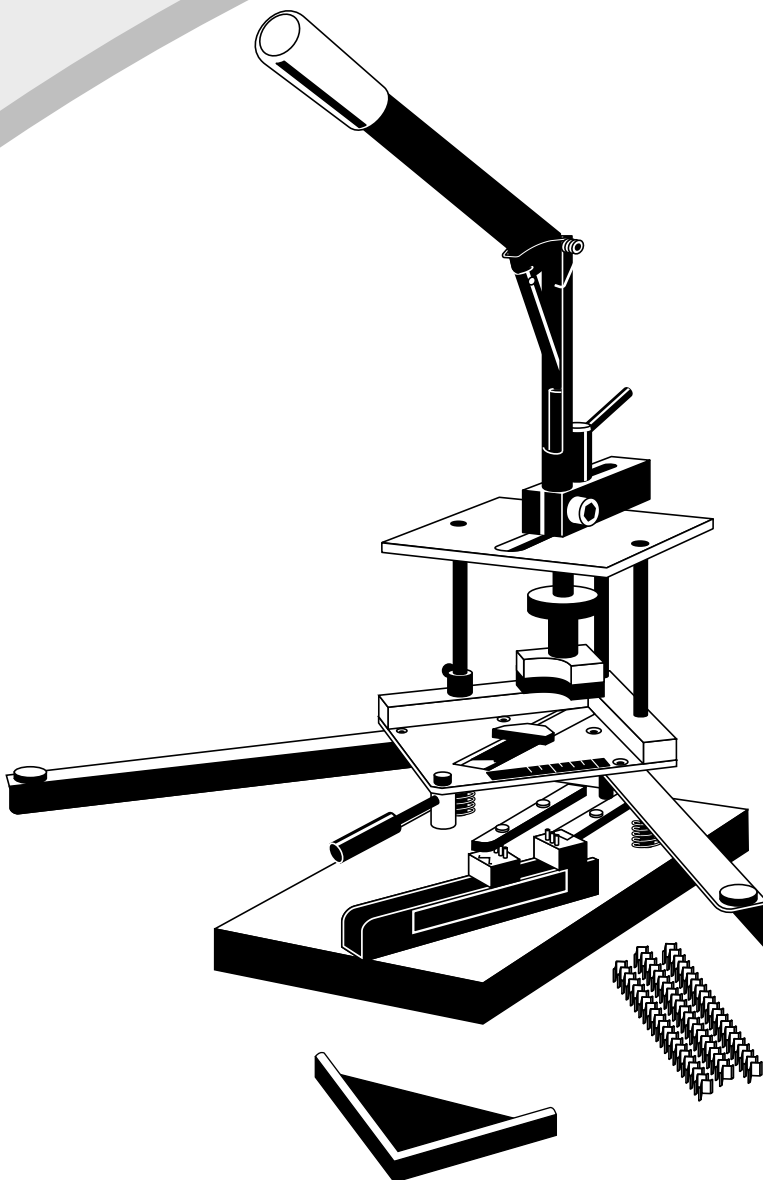
PRO JOINER



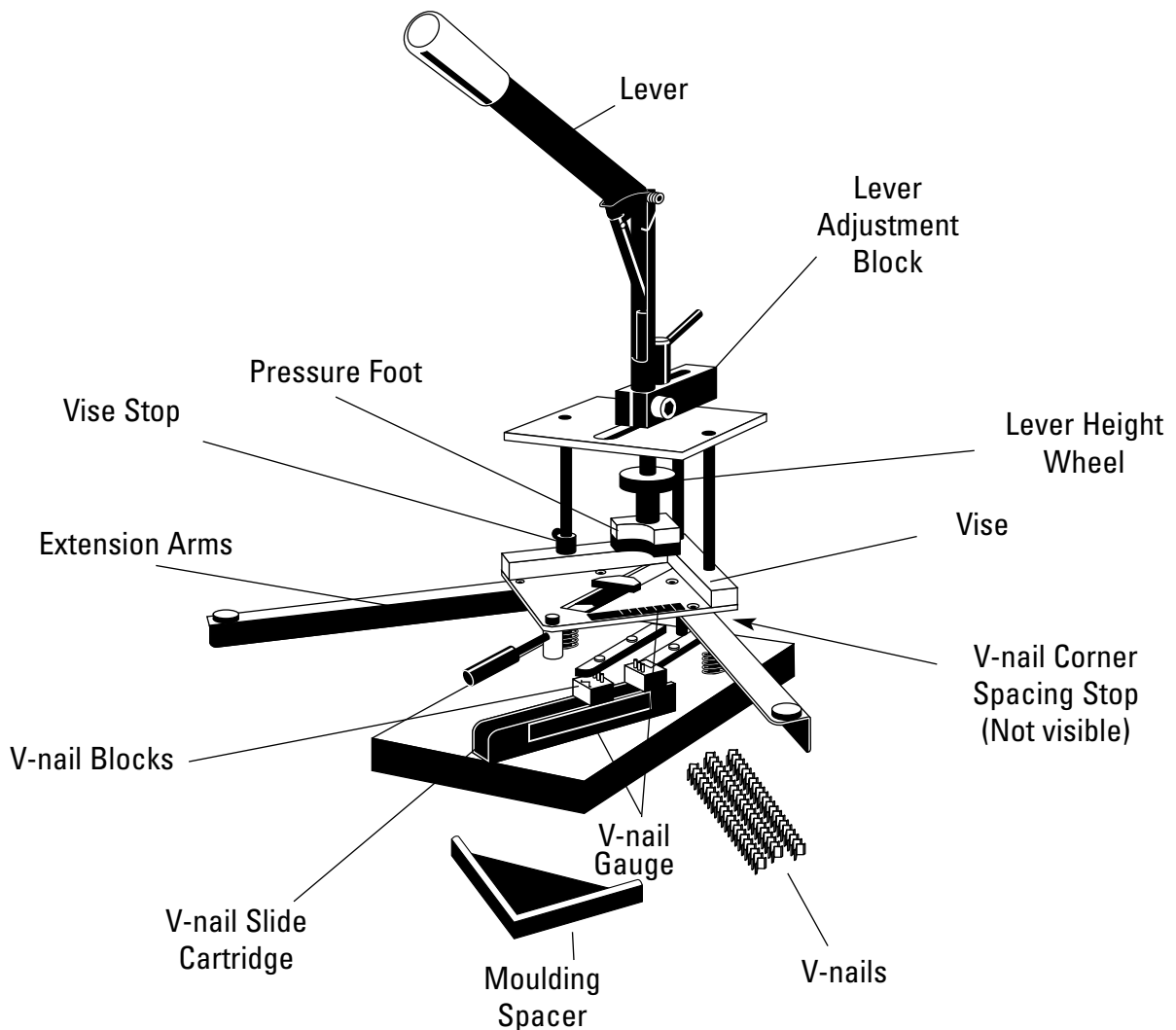
www.logangraphic.com

Description

The Pro Joiner Model F300-2 has been designed as a full featured manual joiner that is easy to use. Features include alignment pins which will correctly drive V-nails into all woods, fully adjustable press for variable moulding sizes and shapes, adjustable V-nail spacing allowing you to drive up to two V-nails at once, convenient V-nail spacing gauge to take the guess work out of placement, easy to load V-nail blocks that slide on a fixed rail and includes a quick set-up clamp to precisely secure moulding. Precise corner joints can be achieved with this heavy duty professional style joiner. Producing professional quality picture frames is now easier than ever.



Identification



V-nails - Moulding fasteners.

Lever - Arbor press handle used to drive clamped moulding on to V-nails.

Lever Adjustment Block - Block which moves to locate pressure foot and adjust lever height.

Moulding Spacer - Helps in driving awkward profile mouldings onto V-nails.

Pressure Foot - Urethane coated foot which locates on moulding joint and drives wood onto nails.

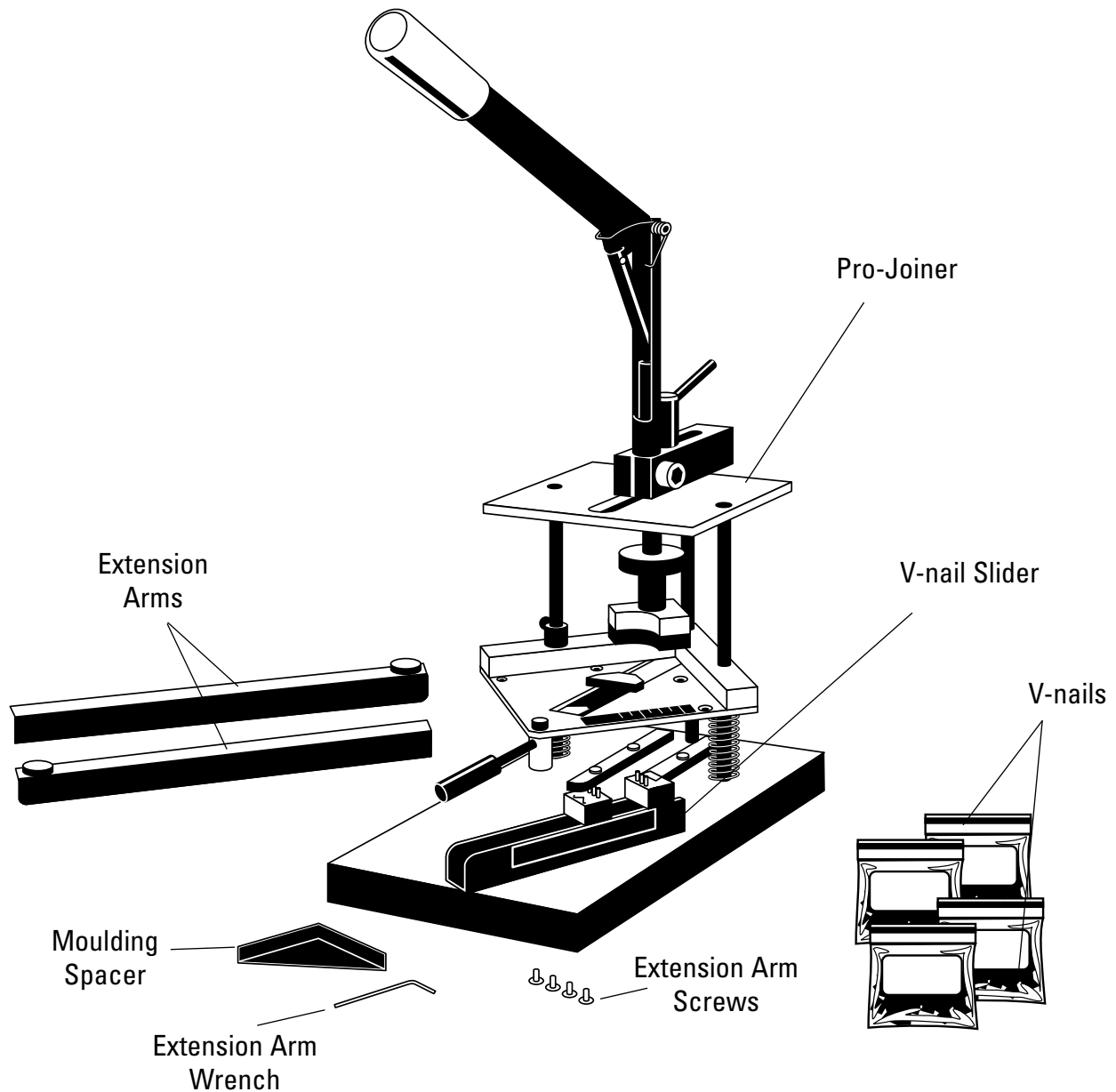
V-nail Slide Cartridge - Allows V-nail blocks to be moved out for easy loading.

V-nail Blocks - Two blocks which hold V-nails.

V-nail Gauge - Allows for “no guessing” set-up of nail spacing.

Vise - Quick set jaw locks moulding in place. Clamp moves up and down to drive wood onto nails.

Parts List



Parts List

Extension Arms	2
Extension Arm Screws	4
Extension Arm Wrench	1
Moulding Spacer	1
Pro-Joiner	1
V-nail Slider	1
V-nails	400




Assembly Procedure

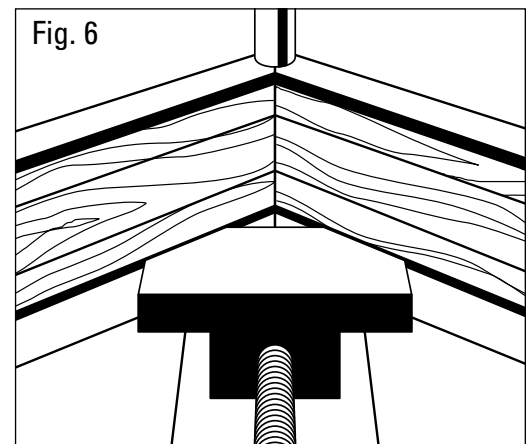
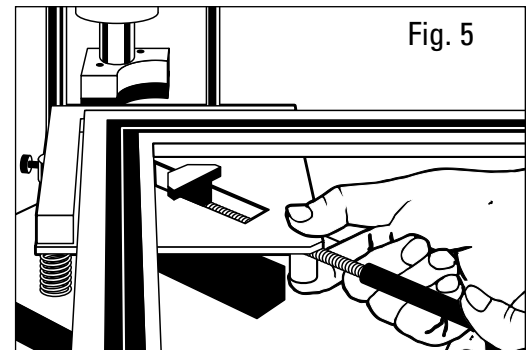
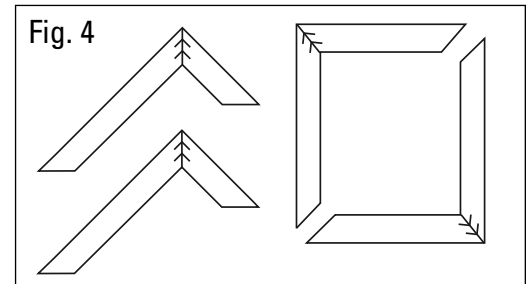
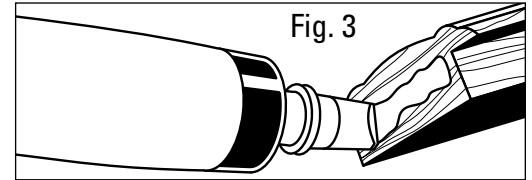
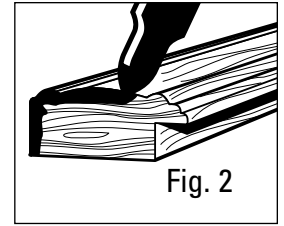
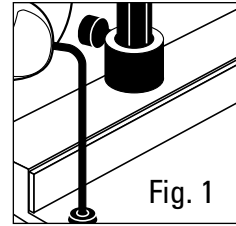
A. Extension Arms

1. Align set of holes in arm with holes in vise, making sure the rubber bumper faces up. (Fig. 1).
2. Attach arm to vise with extension arm screws using extension wrench supplied.

Preparation

A. Clamp Moulding

-  Mark edges of mitre to blend any gaps in joint (Fig. 2). Use wood stain marker available at hardware store.
 -  Glue moulding mitre for long lasting solid corners (Fig. 3).
 -  Always start by placing longer length in vise on right hand side and shorter length on left hand side. This will give you two halves of frame, eliminating errors (Fig. 4).
1. Remove V-nail slider.
 2. Press vise down and tighten vise stop to provide clearance for moulding.
 3. Adjust clamp jaw by pressing spring button and sliding handle (Fig. 5).
 4. Align moulding pieces in vise so top corner is square (Fig. 6).
 5. Tighten handle only as much as necessary to hold joint together.
 6. Release vise stop.



Preparation continued

B. Set V-nail Spacing

1. Read dimension from vis scale (Fig. 7).
2. Adjust V-nail block in slider to same dimension as vis scale. V-nails are now set approximately 1/4 inch from each end of joint (Fig. 8).
3. Replace slider.

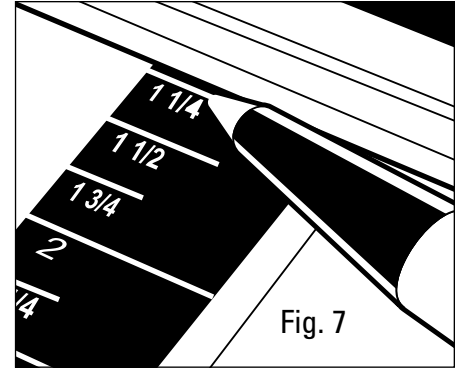


Fig. 7



V-nail Corner Spacing Stop

- Locate slider against the stop by pushing it back as far as it will go.
- This stop changes the distance the top V-nail is located from the end of the joint (Dimension X) (Fig. 9).

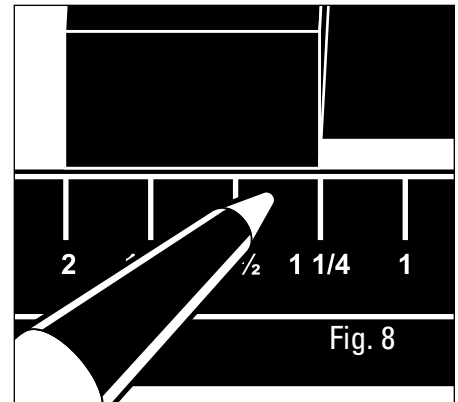


Fig. 8



Using 1/2 inch or smaller moulding

- Only one V-nail block is moveable and it is designed to be removed from the slider.
- When small mouldings need to be joined. Simply remove the stop knob from end of slider and slide V-nail block out. It cannot be left in slider or damage may occur.
- This now allows you to drive two V-nails (one at a time in different places) to have a secure joint.

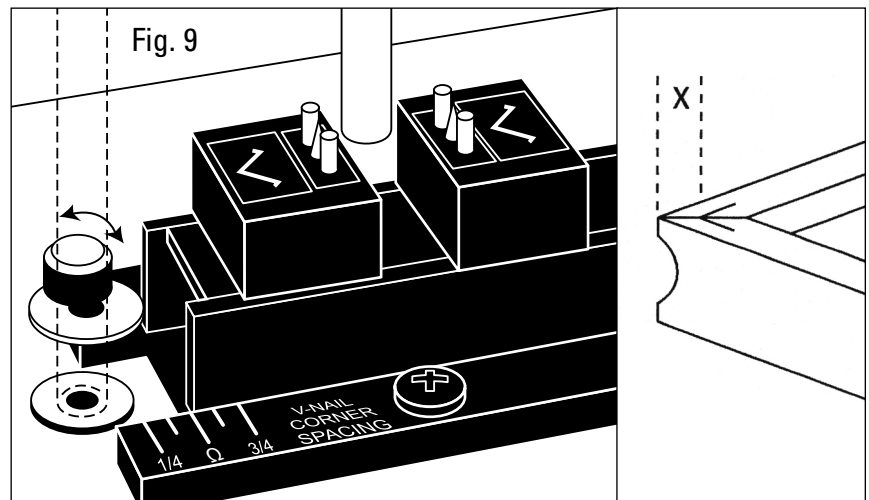


Fig. 9

Preparation continued

C. Set Pressure Foot Over Moulding

1. Loosen lever adjustment block handle.
2. Adjust lever adjustment block so pressure foot locates over middle moulding or where even downward pressure can be applied (Fig. 10).
3. Tighten lever.
4. Due to the many moulding profiles we have included a black moulding spacer. This is especially useful when the outside edge of moulding is considerably thinner than inside (rabbet) edge of moulding. This should help eliminate the joint from opening (Fig. 11)

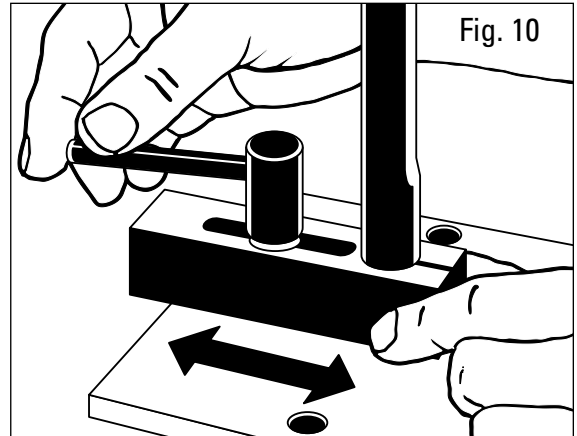


Fig. 10



One nail - the foot should be directly over the nail.

Two nails - the foot should be between the nails.

D. Adjust Foot Height

1. With moulding now securely clamped, push the vis down until moulding bottoms out onto V-nail blocks and tighten vis stop.
2. Lower lever handle below horizontal.
3. Adjust pressure foot by turning wheel until it contacts moulding and handle is below horizontal (Fig. 12).
4. Release vis stop.

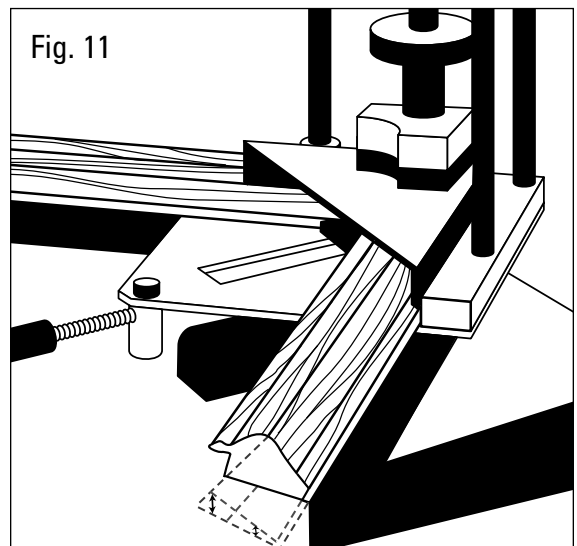


Fig. 11

E. V-nail Type

1. Hardwood nails are used for very hard woods like oak and maple. Do not use these nails on softwoods.
2. Softwood nails are used for other woods but can be used on hardwoods. Test them on hardwoods. If they do not work, use a hardwood nail.

F. V-nail Size

1. As a general rule, nail should be at least 1/2 of moulding thickness.

G. V-nail Quantity

1. 2 V-nails - from 0" to 2" (5cm)
- 3 V-nails - from 2" (5cm) to 3" (7cm)

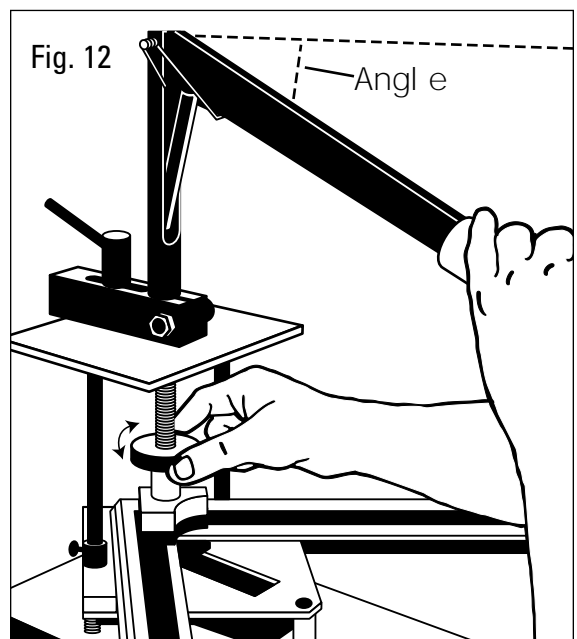


Fig. 12

Operation

A. Load V-nails

1. Remove slider from base board (Fig. 13).
2. Decide to drive one or two V-nails. With some hardwoods (walnut, etc) it may be easier to press only one V-nail in at a time.
3. Insert V-nail with *sharp edge* up onto pins oriented the same as the sticker on the V-nail blocks (Fig. 14).
4. Replace slider between guides on baseboard up against corner stop (Fig. 15).

For information on how to purchase additional V-nails see page 10.

B. Press Nails

1. Lower lever and pressure foot onto moulding.
2. Press lever completely until vise clamp bottoms on V-nail blocks (Fig. 16).



Making a quick firm pull on the lever drives the V-nails faster and more accurately.

3. Raise lever.
4. Remove V-nail slider.
5. Remove jointed moulding corner.
6. Repeat process of clamping a new corner of moulding and loading V-nails.

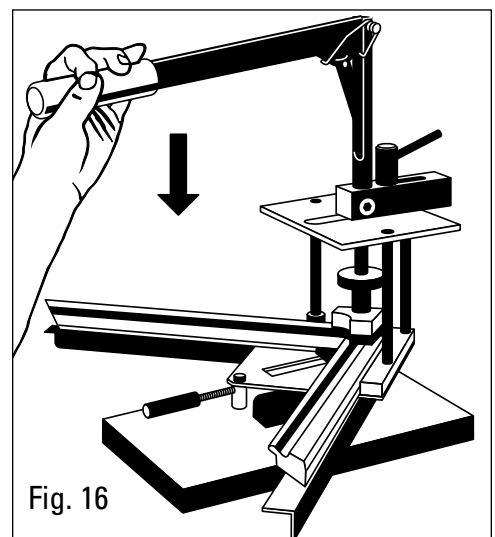
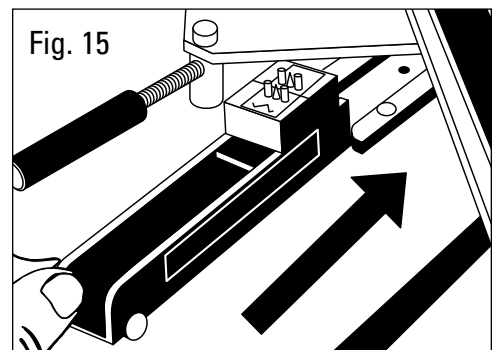
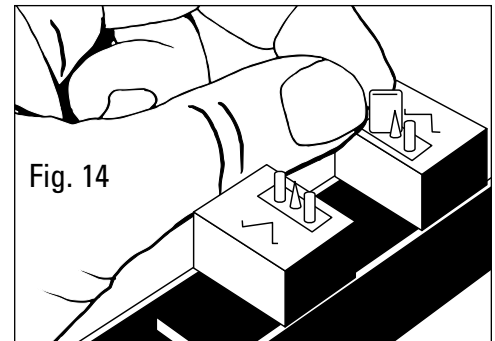
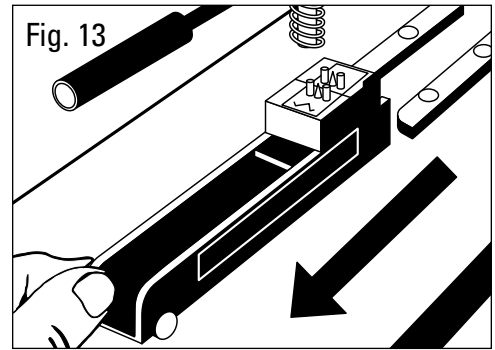
C. Stacking V-Nails

It is possible to drive V-Nails directly behind the first V-Nail (stacking). This is to make possible, solid corners in extra thick moulding 1 1/2" or more. Care should be taken and it is advisable to practice with scrap moulding first.

1. To start this procedure, press one V-Nail at a time.
2. Without moving the V-Nail block from its position in the V-Nail slider, place another V-Nail on the block and replace the slider to its original position.
3. Press the V-Nail in using slow but firm action.

Note: With some very hard woods, it may be necessary to place the second V-Nail on the V-Nail block upside down. This is to ensure maximum contact with the first V-Nail and the second one being pushed in underneath the first. It may also not be possible to drive it all the way flush with the moulding, depending on wood used, in which case, it may be necessary to sand or file the V-Nail until it is flush with moulding. This should not be done until all 4 corners have been joined.

4. Repeat the process until the corner has been completely joined and then repeat with the remaining three corners.

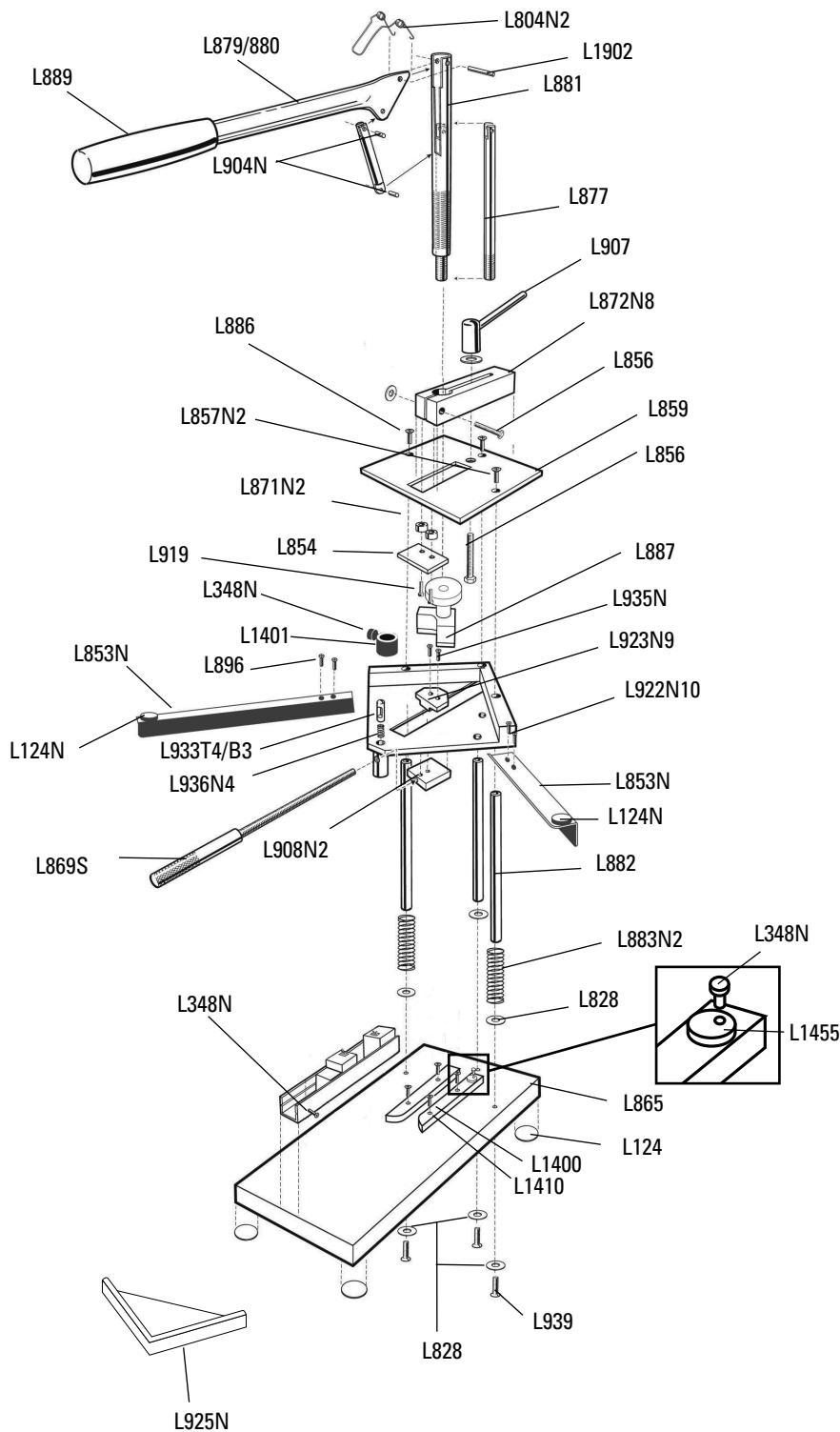


Trouble Shooting

Problem	Solution
Gaps in joints.	Sand Mitres smooth. Make sure the two pairs are equal length. Reduce the amount of glue in joint. Check square cutting action of saw. Use longer V-nails if possible.
V-nails don't drive in all the way in.	Try using one (1) V-nail at a time, especially when joining hard woods. Remove any obstruction under vise. Re-adjust the depth of the lever arm.
V-nail holders won't emerge from V-nail blocks.	Soak in solvent to clear away glue or dust. Place a finger under V-nail block between block and slider to push V-nail holder up.
Moulding joints open up when pressing V-nails in.	Re-adjust the placement of the pressure foot to spread the load more evenly. Use one V-nail at a time when foot contacts awkward sloping profile moulding.

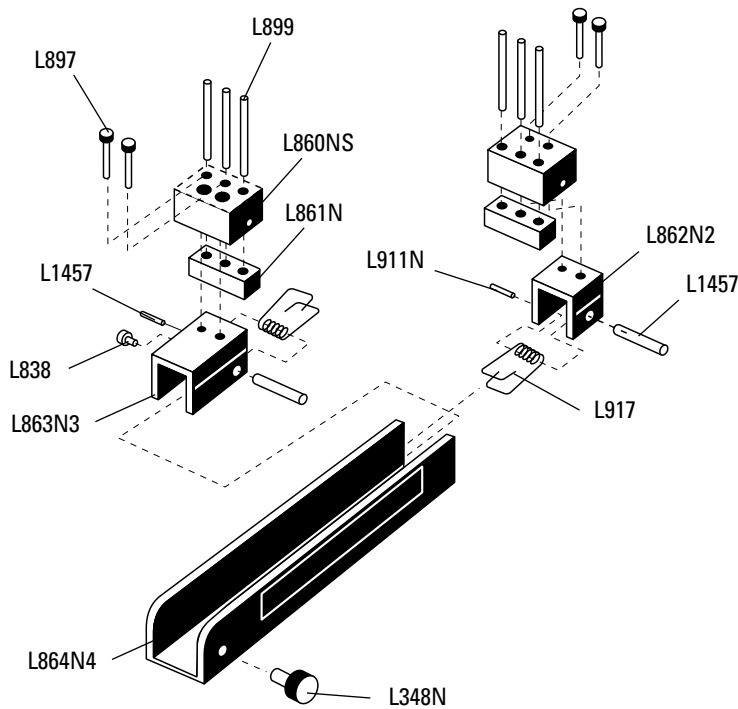
Warranty

Logan Graphic Products, Inc. ("Logan") warrants the Pro Joiner - Model F300-2, to be free from defects in parts and workmanship for a period of one year from the date of original purchase. Logan warrants that it will either repair or replace, at its sole discretion, any necessary replacement parts found to be defective. Should the product need to be returned to Logan for repair or replacement parts, authorization for any return must come from Logan in writing. Costs of returning the product to Logan, including insurances, shall be borne by the purchaser. Logan shall not be liable for any damages or losses, incidental or consequential, direct or indirect, arising from the use of this product. This warranty extends only to the original purchaser and is not assignable or transferable. This warranty is in lieu of all other warranties, expressed or implied.



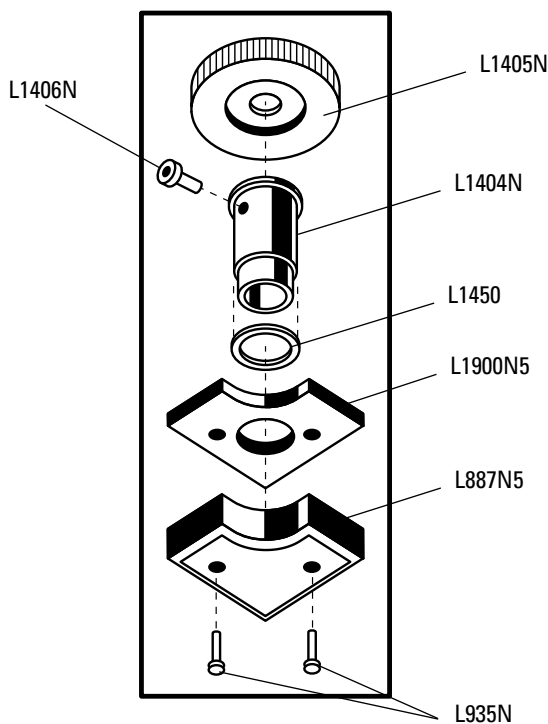
No.	Description	Qty.
L124	Feet	4
L124N	Ext. Arm Bumper	2
L348N	Knob Screw	3
L804N2	Handle Spring	1
L828	Post Washer	6
L853N	Ext. Arms	2
L854	Block Plate	1
L856	Handle Bolt	1
L857N2	Top Plate Screw	2
L859	Top Plate	1
L865	Base Board	1
L869	Clamp Handle	1
L869-S	Rod and Handle	1
L871N2	Block Spacer	2
L872N8	Lever Adjustment Block	1
L877	Lever Shaft	1
L879/880	Handle	1
L889	Handle Grip	1
L881	Lever Tube	1
L882	Post	3
L883N2	Post Spring	2
L886	Top Post Screw	1
L887	Pressure Foot	1
L896	Ext. Arm Screws	4
L902	Link Pin 1	1
L904N	Link Pin 2	2
L907	Handle	2
L908N2	Jaw Block	1
L919	Block Screw	2
L922N10	Clamp Base	1
L923N9	Clamp Jaw	1
L925N	Framer Spacer	1
L933T4/B3	Button	1
L935N	Jaw Screw	2
L936N4	Button Spring	1
L939	Bottom Post Screw	3
L1401	Vise Stop	1
L1400	Slider Guides	2
L1410	Slider Guide Screws	4
L1455	Slider Stop Cam	1

V-nail Slider



No.	Description	Qty.
L348N	Knob Screw	1
L838	Slide Block Tension Screw	1
L860N5	Pin Block	2
L861N	Pin Holder	2
L862N2	Slide Block Small	1
L863N3	Slide Block Large	1
L864N4	Slide Block Holder	1
L897	Pin Block Screw	4
L899	Nail Pins	6
L911N	Slide Block Spring Pin	2
L917	Slide Block Spring	2
L1457	Slide Block Spring Pin	2

Pressure Pad Assembly



No.	Description	Qty.
L887N5	Pressure Pad	1
L900N5	Pressure Block	1
L935N	Pad Screws	2
L1404N	Shaft Spacer	1
L1405N	Adj. Nut	1
L1406N	Shaft Spacer Screw	1
L1450	Adj. Nut Retaining Ring	1

ALSO AVAILABLE FROM LOGAN GRAPHICS

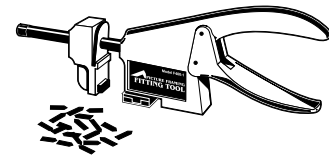
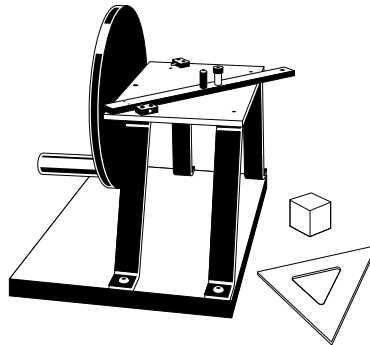
Logan Graphics picture framing system includes all the tools and accessories you need to produce professional quality frames including...

PRECISION SANDER ELITE

Model F200-2

Sands miters to perfect 45° angle for tight, square frames

- 10 lb wheel
- Adjusts 45° left, 90° and 45° right
- Micro adjustment for perfect 45°
- Aluminum oxide sand paper with life extending bar
- Sand up to 2 1/2" (64mm) mouldings
- Dust removal bar



FITTING TOOL *Model F400-1*

Drives brads or point inserts into wood frames to hold materials in place

- Drives four different inserts
- No slipping or bending
- Removes inserts
- Easy adjust foot
- Use on hard or soft woods
- Patented rotating insert holder
- Proper drive angle assured
- No guessing or skill required



REPLACEMENT V-NAILS

Find replacement V-nails where you purchased your tool.

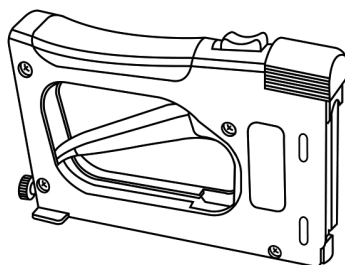
- 1/4" (7mm), 3/8" (10mm) and 1/2 (12mm) sizes are available for both soft and hard wood applications, packaged in quantities of 200.

DUAL DRIVE ELITE

Model F500-2

Spring-loaded action drives both rigid and flexible points to secure artwork in both hard and softwood frames

- Holds stacks of flexible or rigid points for fast productive framing
- Comfortable handle grip and smooth firing action
- Must-have for artists, framers and hobbyists!
- For best results, using only authentic Logan points



For more information, including where to buy Logan Framing Products, Please visit us at www.logangraphic.com or call Toll Free (800) 331 6232.